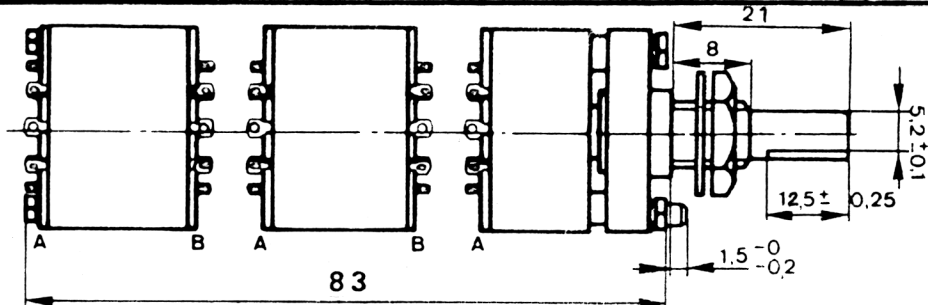


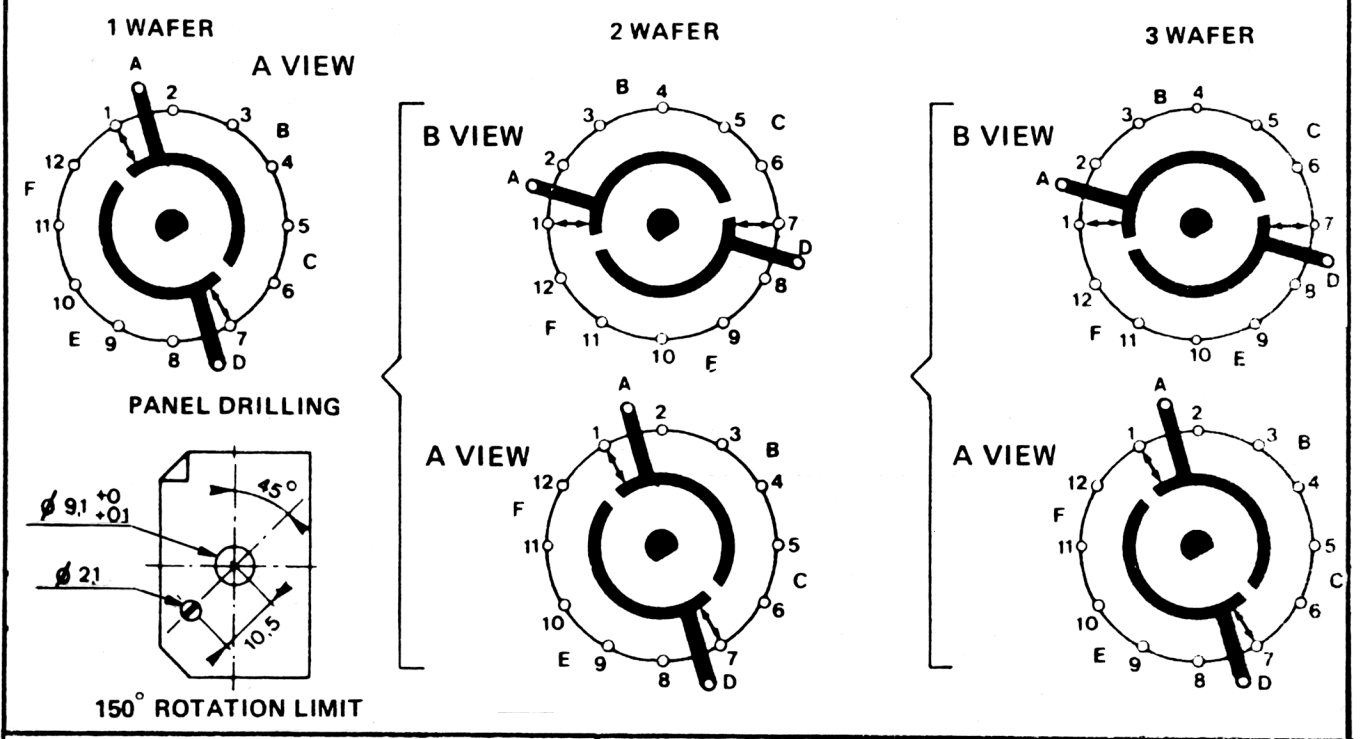
# COMPONENT MAINTENANCE MANUAL

<b>Issue:</b>	 3, Rue de l'Industrie MC 98000 MONACO www.iec-monaco.com Tél. +377 92 05 66 88      Fax: +377 92 05 77 26	<b>SJ 328</b>
<b>Revisions</b> 1: NATO code 1.10.2004		ROTARY SWITCH
		P/N: <b>ATR 0000 2535 B</b>



**ATR 0000 2535 B**      **FRONT VIEW (SWITCH SIDE)**

**68 396 005 00**



## GENERAL CHARACTERISTICS

Max. operating temp. dry heat °C	+ 90
Min. operating temp. dry cold °C	- 60
Switches with solid silver contacts	
Rated voltage (Volts)	150
Rated current (Amp)	1
Max. breaking power (Watts)	45
Contact resistance	0.003
<b>DIELECTRIC STRENGTH IN VOLTS D.C.</b>	
Between non shorting contacts	1500
Between contacts and pole-pieces	2000
Between contacts, pole-pieces and ground	1500
Between two adjacent contacts (Megohms)	1.10 <sup>6</sup>
Between contacts and ground (Megohms)	1.10 <sup>5</sup>