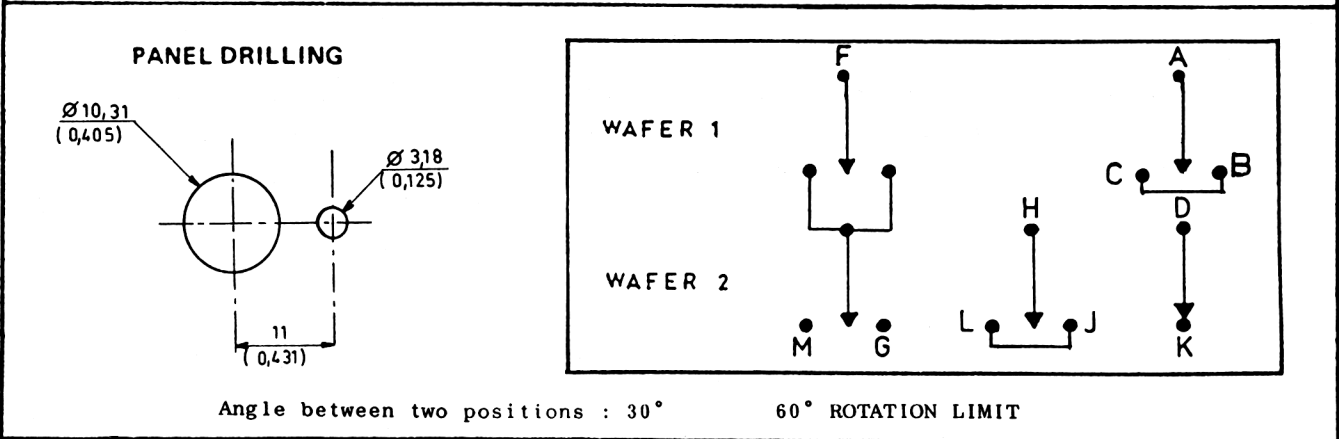
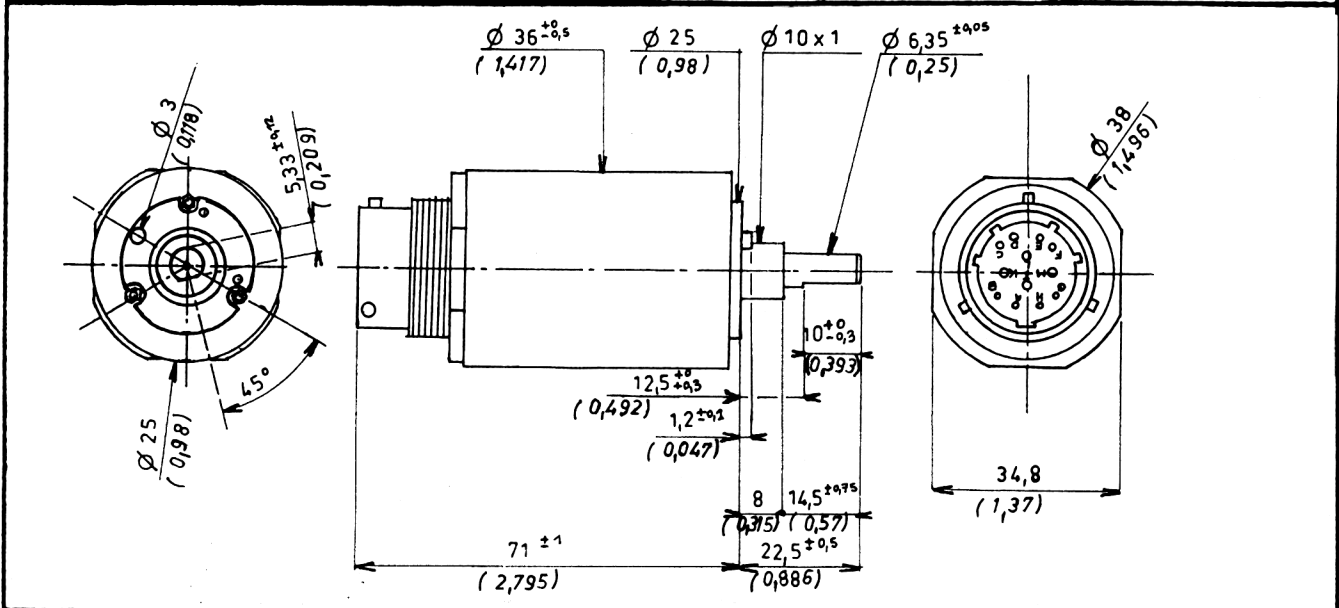


COMPONENT MAINTENANCE MANUAL

Issue Date: 20-11-96	 www.iec-monaco.com Tél. +377 92 05 66 88 Fax: +377 92 05 77 26	SJ 328 ROTARY SWITCH P/N: 097-026 - 00
Révisions 1 : 29.11.96		
2 : NATO code 1.10.2004		



GENERAL CHARACTERISTICS	
Max. operating temp. dry heat	+ 70 °C
Min. operating temp. dry cold	- 15 °C
Switches with solid silver contacts	
Rated voltage (Volts)	28 DC.
Rated current (Amp)	0,5
Max. breaking power (Watts)	15
Contact resistance (ohms)	< 0,01
DIELECTRIC STRENGTH IN VOLTS A.C.	
Between contacts	3000
Between contacts and pole-pieces	2500
Between contacts, pole-pieces and ground	2000
Between two adjacent contacts (Ω)	$\geq 5 \cdot 10^6$
Between contacts and ground (Ω)	$\geq 1 \cdot 10^5$

STORAGE CONDITIONS : in original packages under acceptable climatic conditions.