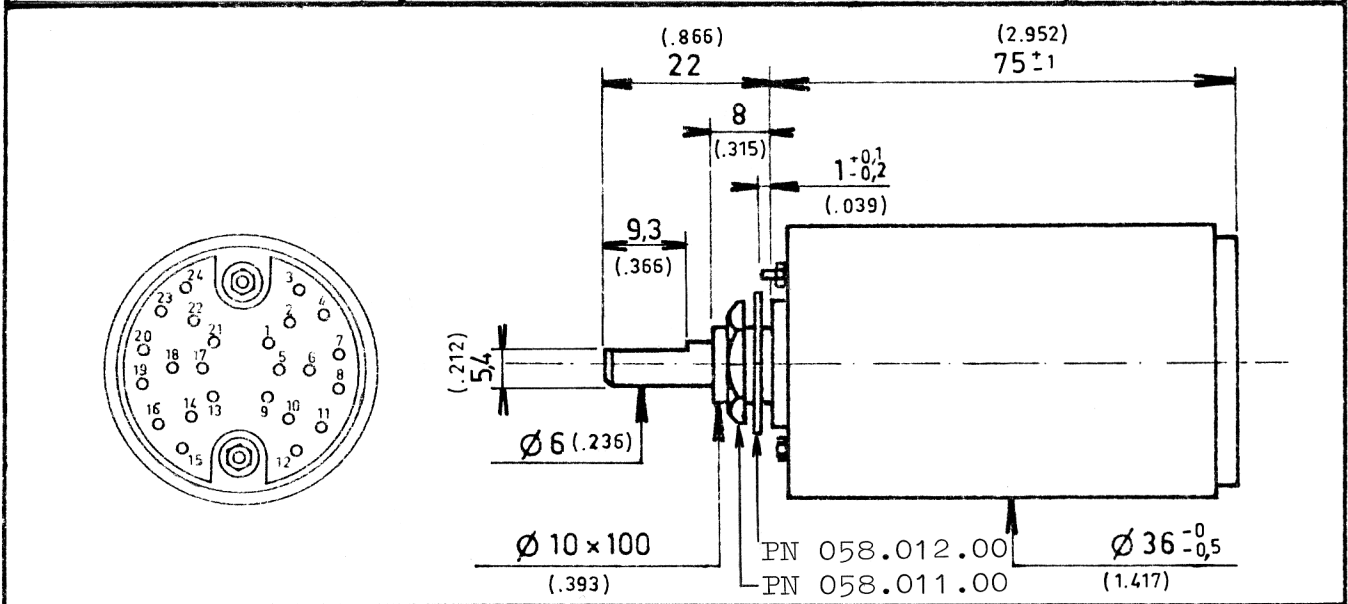
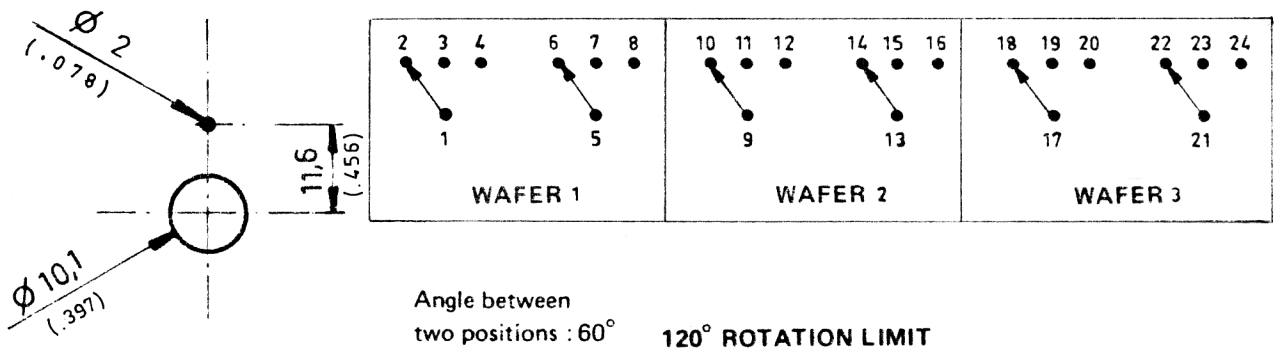


# COMPONENT MAINTENANCE MANUAL

|                           |  |                 |
|---------------------------|--|-----------------|
| Issue Date: 87.11.03      | <br>3, Rue de l'Industrie<br>MC 98000 MONACO<br>www.iec-monaco.com<br>Tél. +377 92 05 66 88 Fax: +377 92 05 77 26 | <b>SJ 328</b>   |
| Révisions 1 : 90.12.20.   |  | ROTARY SWITCH   |
| 2: NATO code<br>1.10.2004 |  | P.N: 058.003-00 |
|                           |  |                 |



### PANEL DRILLING



### GENERAL CHARACTERISTICS

|                                     |                |
|-------------------------------------|----------------|
| Max. operating temp. dry heat       | +85°C. (185°F) |
| Min. operating temp. dry cold       | -55°C. (131°F) |
| Switches with solid silver contacts | .....          |
| Rated voltage (Volts)               | 28 DC. 115 AC  |
| Rated current (Amp)                 | 2 - 1,5        |
| Max. breaking power (Watts)         | 170            |
| Contact resistance (ohms)           | < 0,05         |

#### DIELECTRIC STRENGTH IN VOLTS A.C.

|  |                   |
|--|-------------------|
| Between contacts                         | 1500              |
| Between contacts and pole-pieces         | 1500              |
| Between contacts, pole-pieces and ground | 1500              |
| Between two adjacent contacts (Megohms)  | 1.10 <sup>3</sup> |
| Between contacts and ground (Megohms)    | 1.10 <sup>3</sup> |